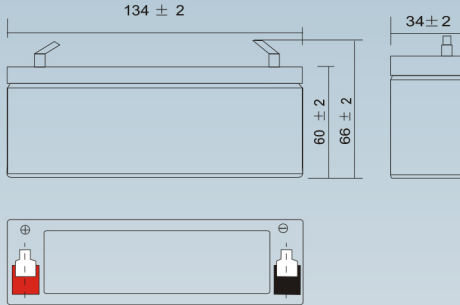


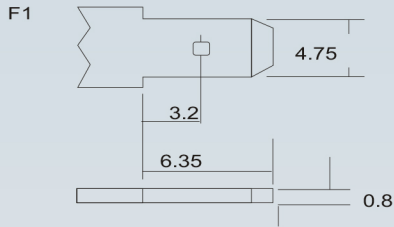
PS Range

(5yr Design Life in Float Service at 20°C)

Dimensions (mm)



Standard terminal (mm)



Physical Specification

Nominal Voltage		6V
Nominal Capacity		3.4 AH
Dimension	Length	134 ± 2 mm
	Width	34 ± 2 mm
	Container Height	60 ± 2 mm
	Total Height (with terminal)	66 ± 2 mm
Weight		Approx 0.67kg
Standard Terminal		F1

PS-630ST 6V 3.4AH



Discharge Characteristics (25°C, 77°F)

Rated Capacity	20hr Rate(1.80V/cell)	3.20AH	Constant Voltage Charge	Cycle	Initial Charging Current Less than 0.85A Voltage 7.20V ~ 7.50V at 25°C (77°F)
	10hr Rate(1.80V/cell)	2.98AH			
Capacity Affected by Temperature	5hr Rate(1.75V/cell)	2.69AH	Standby	Recommended Charge Current less than 0.85A Voltage 6.75V ~ 6.90V at 25°C (77°F)	
	3hr Rate(1.75V/cell)	2.35AH			
	1hr Rate(1.60V/cell)	1.94AH			
	40°C (104°F)	103%			
Capacity Affected by Temperature	25°C (77°F)	100%	Constant Voltage Charge	Standby	Recommended Charge Current less than 0.85A Voltage 6.75V ~ 6.90V at 25°C (77°F)
	0°C (32°F)	86%			

Internal Resistance mΩ

Approx 28.0 mΩ

Constant Current Discharge Characteristics Unit: Amperes (25°C, 77°F)

F.V/Time	5min	10min	15min	20min	30min	45min	1h	2h	3h	4h	5h	6h	8h	10h	20h
1.85V/cell	6.14	4.28	3.53	3.06	2.46	1.89	1.55	0.944	0.719	0.591	0.502	0.435	0.345	0.287	0.158
1.80V/cell	7.55	5.11	4.10	3.47	2.72	2.06	1.66	1.00	0.756	0.622	0.524	0.454	0.358	0.298	0.160
1.75V/cell	8.95	5.78	4.52	3.77	2.91	2.19	1.75	1.05	0.783	0.641	0.538	0.465	0.368	0.303	0.162
1.70V/cell	10.2	6.37	4.89	4.05	3.05	2.27	1.82	1.09	0.809	0.657	0.551	0.476	0.374	0.308	0.164
1.65V/cell	11.2	6.85	5.17	4.25	3.18	2.36	1.90	1.12	0.829	0.670	0.563	0.485	0.380	0.313	0.167
1.60V/cell	11.8	7.14	5.39	4.39	3.27	2.41	1.94	1.16	0.849	0.687	0.575	0.495	0.388	0.318	0.168

Constant Power Discharge Characteristics Unit: (Watts/cell) (25°C, 77°F)

F.V/Time	5min	10min	15min	20min	30min	45min	1h	2h	3h	4h	5h	6h	8h	10h	20h
1.85V/cell	11.6	8.16	6.79	5.93	4.79	3.71	3.04	1.87	1.43	1.18	1.00	0.872	0.695	0.579	0.320
1.80V/cell	14.1	9.64	7.81	6.66	5.27	4.01	3.26	1.98	1.49	1.23	1.04	0.905	0.716	0.596	0.322
1.75V/cell	16.5	10.8	8.53	7.20	5.59	4.24	3.41	2.05	1.54	1.26	1.06	0.921	0.731	0.604	0.322
1.70V/cell	18.5	11.8	9.15	7.67	5.83	4.38	3.53	2.12	1.58	1.29	1.08	0.938	0.738	0.610	0.326
1.65V/cell	20.1	12.5	9.56	7.97	6.03	4.52	3.66	2.17	1.61	1.31	1.10	0.952	0.746	0.616	0.329
1.60V/cell	20.8	12.9	9.86	8.13	6.13	4.58	3.71	2.22	1.64	1.33	1.12	0.966	0.758	0.623	0.330



BATTERYCHARGED
Unit 17
M11 Business Link
Stansted
Essex
CM24 8GF

Tel: 03300 412187
www.batterycharged.co.uk
email: info@batterycharged.co.uk